

Product change notification (PCN)

Title / short description	Terminal block changeover to L-current bars
Affected article category	Terminal blocks
Change category	Form and appearance
Change number	CBE200143-1

Purpose/objective of the change

The specified Push-in diode, function, and high-voltage blocks will be changed to the familiar L-current bar design. This is necessary for production because most of the product lines such as feed-through or multi-level terminal blocks are already supplied with these L-current bars.

Detailed description of the change

The product features will not be changed. All accessories and terminal blocks of both the old and new versions are compatible with each other.

Identifying characteristics

The current bar design is being changed; see attachment for details.

Start of Production (SOP)	-	Last Time Delivery (LTD)	-
Effective date (EOP)	2020-11-01	End of Service (EOSR)	-
End of Sales (EOS)	-		

Short-term change (< 6 months) or discontinuation (< 12 months), due to:

- | | | |
|---|---|--|
| <input type="checkbox"/> Software / Firmware Bugfix | <input type="checkbox"/> Short-term delivery stop by supplier | <input type="checkbox"/> Short-term recall by supplier |
| <input type="checkbox"/> Force majeure | <input type="checkbox"/> Product improvement with customer benefits | |
| <input type="checkbox"/> Others | | |

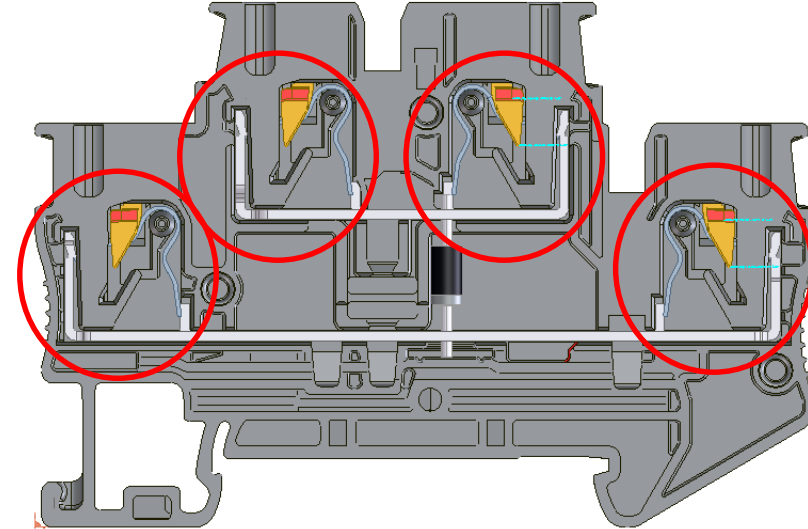
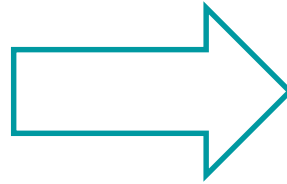
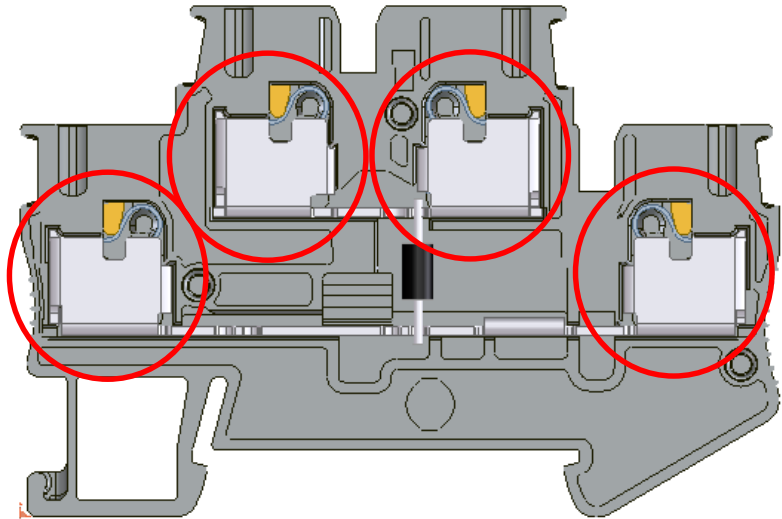
Attachments

- CBE200143_before_after_VC_v1.pdf
- Material_list.csv
- PCN-CBE200143-1 Umstellung der Reihenklammern auf L-Strombalken_DE
- PCN-CBE200143-1 Terminal block changeover to L-current bars_EN

Material list

Item	Article Type	Hardware / Firmware		Item	Substitute item Type
		old	new		
3210923	PTTB 2,5-DIO/O-U	8	9		
3210936	PTTB 2,5-DIO/U-O	8	9		
3211472	PTTB 2,5-LA 230	8	9		
3211456	PTTB 2,5-LA 24 RD	6	9		
3211469	PTTB 2,5-LA 60 RD	8	9		
3210925	PTTB 2,5-R499/O-U	3	6		
3211427	PTTB 2,5-DIO/UL-UR	8	9		
3211480	PTTB 2,5-2BE	5	6		
3211443	PTTB 2,5-2DIO/O-UL/O-UR	7	8		
3211430	PTTB 2,5-2DIO/O-UL/UR-UL	8	9		
3215041	PTTB 2,5-2DIO/O-UR/UL-UR	7	8		
3213221	PTTB 2,5-2DIO/UL-O/UR-O	8	9		
3211433	PTTB 2,5-2DIO/UR-O/UR-UL	4	5		
1032734	PTTB 2,5-2DIO/O-UL/UR-UL/U-OG/O-GN	0	1		
3211431	PTTB 2,5-2R/NAMUR	5	6		
1020774	PTTB 2,5-DIO/O-U BK	0	1		
3211432	PTTB 2,5-2R BU/NAMUR	5	6		
3212112	PT 4-DIO 1N 5408/L-R	5	6		
3212125	PT 4-DIO 1N 5408/R-L	5	6		
3211919	PT 4-QUATTRO-DIO 1N 5408/L-R	5	6		
3211921	PT 4-QUATTRO-DIO 1N 5408/R-L	5	6		
3062744	PTTB 4-L 1000V	1	2		
3211444	PTTB 2,5-2DIO/O-UL/O-UR BK	0	1		
1147743	PTTB 2,5-2BE BU	0	1		
1159240	PTTB 2,5-2R/NAMUR 22K/680	0	1		
1151079	PTTB 2,5-2R BU/NAMUR 22K/680	0	1		
1032738	PTTB 2,5-2DIO/UL-O/UR-O/U-OG/O-GN	0	1		

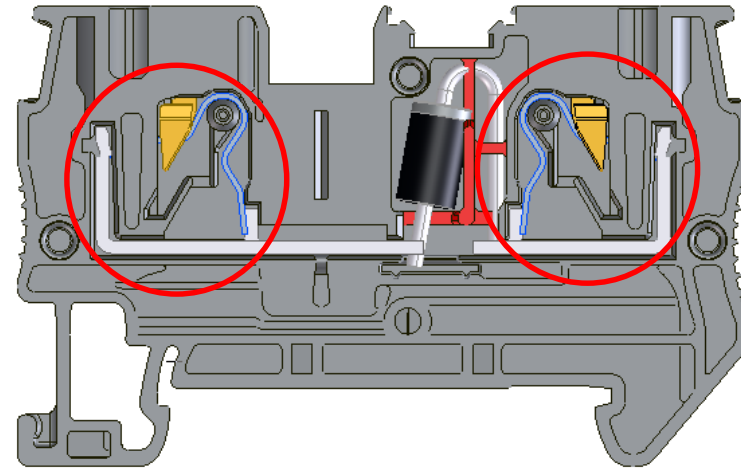
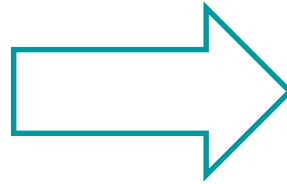
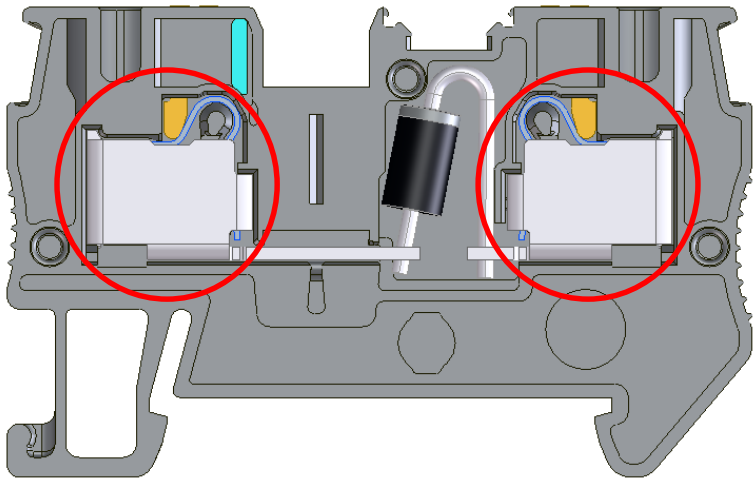
VC old and new PTTB 2,5 DIO/2DIO/LA/R..variants



PTTB 2,5-DIO/2DIO/LA/R...
Family
Old VC

PTTB 2,5-DIO/2DIO/LA/R...
Family
New VC

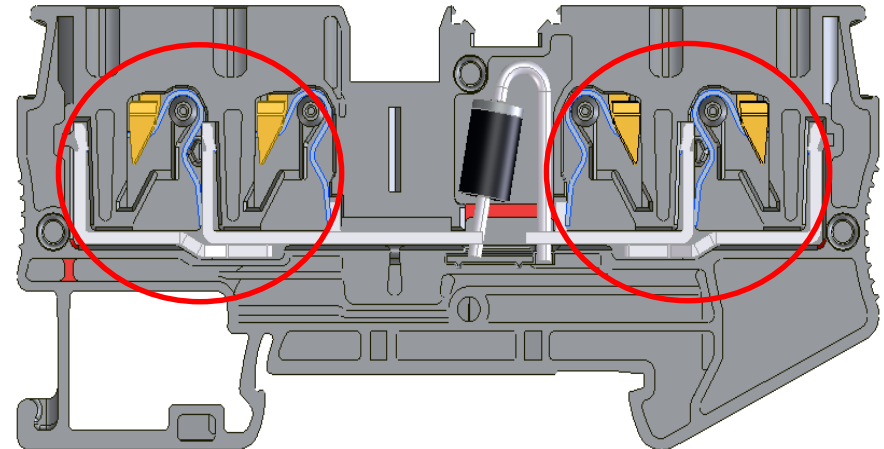
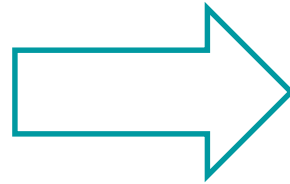
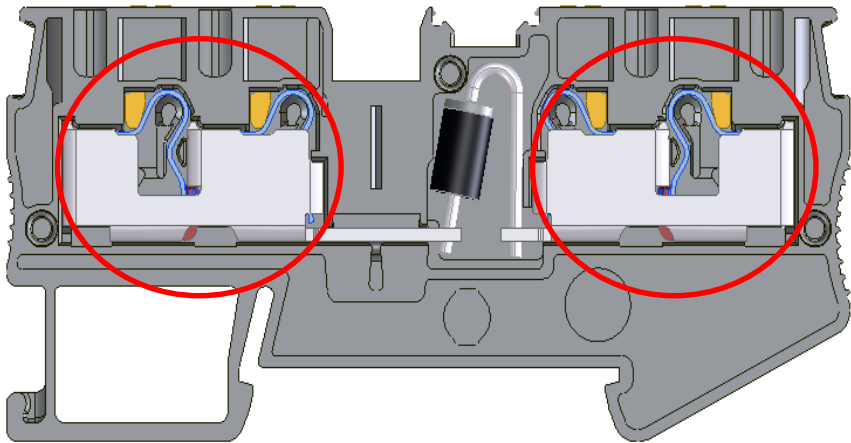
VC old and new PT 4-DIO...variants



PT 4-DIO...
Family
Old VC

PT 4-DIO...
Family
New VC

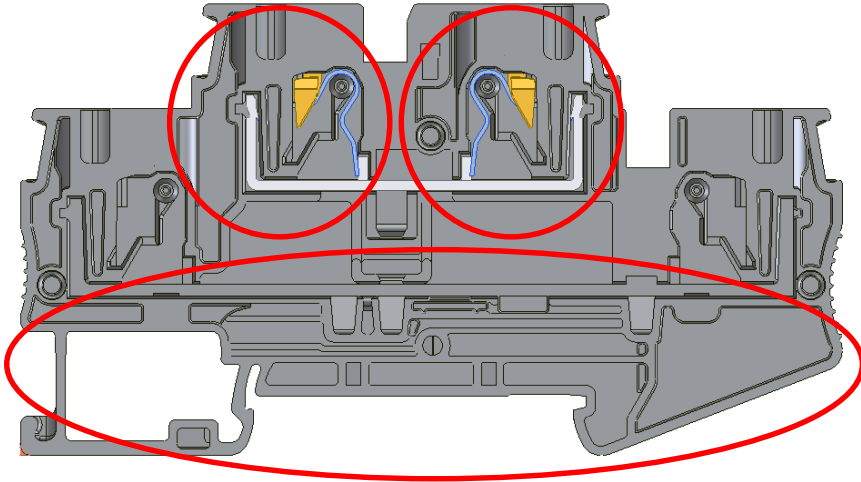
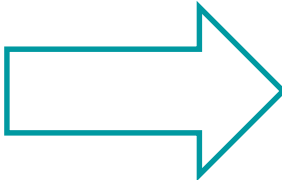
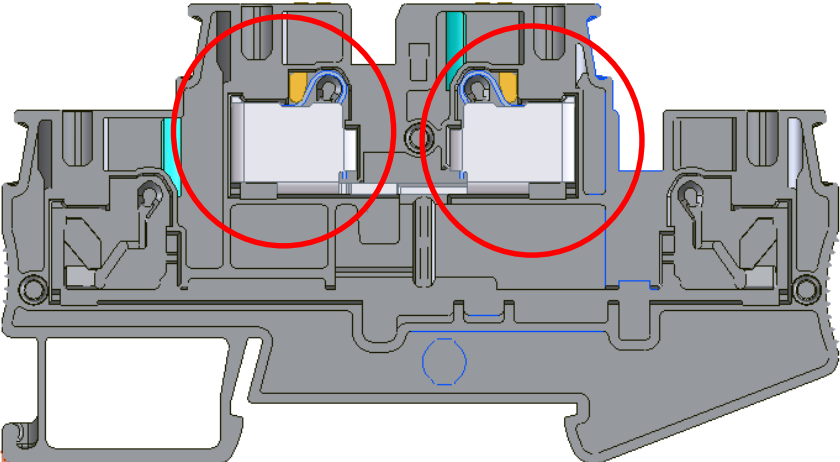
VC old and new PT 4-QUATTRO-DIO...variants



PT 4-QUATTRO-DIO...
Family
Old VC

PT 4-QUATTRO-DIO...
Family
New VC

VC old and new PT 4-L 1000V



PTTB 4-L 1000V
Old VC

PTTB 4-L 1000V
New VC